



PROGRESSIVE
COMPONENTS

Progressive Patented System
Ref: 2.166.237

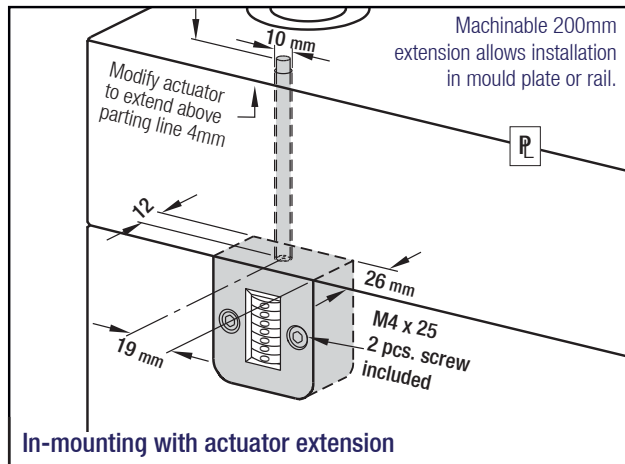
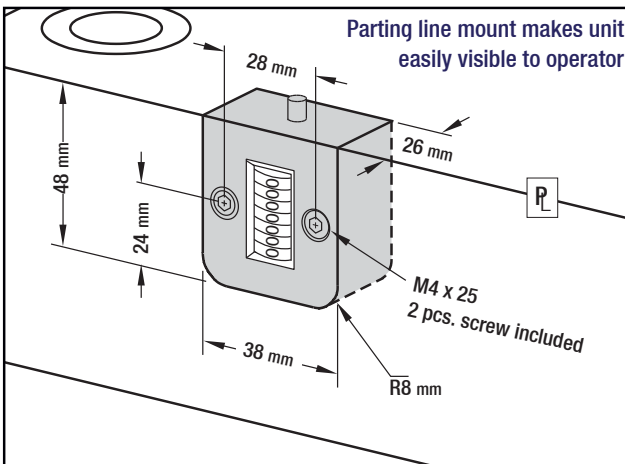
Europe Patent:
EP726129



Cycle Counter

Code: **CVPL.200**

- * Maximum operating temperature is 120°C.
- * Non-resettable, 7-digit mechanical counter.
- * Material: Glass fibre reinforced polyester casing.



Advantages of product:

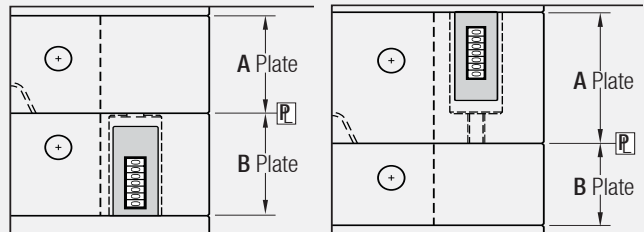
- * The product has a non-resettable 7-digit mechanical counter.
- * It provides creating or developing protective maintenance programs by evaluating process follow-up systems and confirming records kept manually.
- * Mould producers and authorized sellers can keep permanent records related to cycle status of the moulds out of the working area.
- * It is very important for mould producers to communicate correctly in situations where especially cycle guarantee is given.

Order: **CVPL.200**

Cycle Counter - Round Type

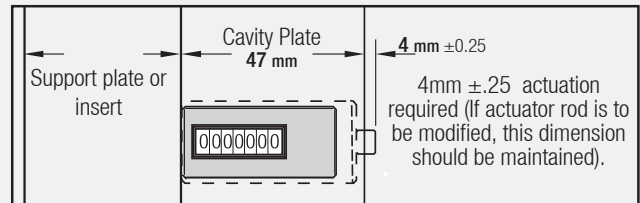
Code: **CVR**

- * Maximum operating temperature is 120°C.
- * Non-resettable, 7-digit mechanical counter.
- * Material: Glass fibre reinforced polyester casing.

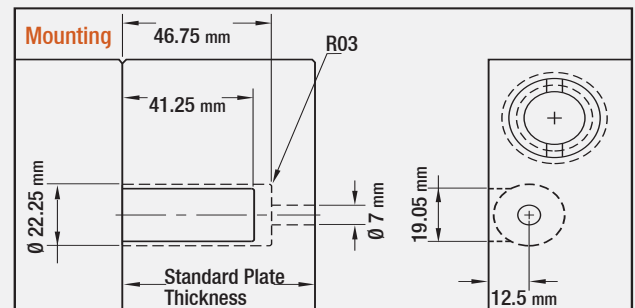


Right hand (actuated with parting line on the right) Cycle Counter mounted in B Plate (CVR-18 shown).

Left hand (actuated with parting line on the left) Cycle Counter mounted in A Plate (CVR-23 shown).



The R-Series CounterView can be installed in the A or B plates with a minimum thickness of 47mm. Larger plates utilize a threaded rod (included with each) that is pre-machined to the appropriate length for standard plate thicknesses to provide consistent actuation.



Parting line at right



Parting line at left

Order	Plate Thickness
CVR - 56	56 mm
CVR - 66	66 mm
CVR - 76	76 mm
CVR - 96	96 mm
CVR - 116	116 mm
CVR - 196	196 mm

Order	Plate Thickness
CVRL - 56	56 mm
CVRL - 66	66 mm
CVRL - 76	76 mm
CVRL - 96	96 mm
CVRL - 116	116 mm
CVRL - 196	196 mm



► Cycle Counter Premium Model



Special Price
69,90 €

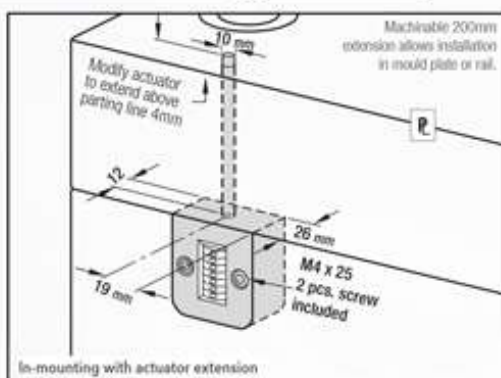
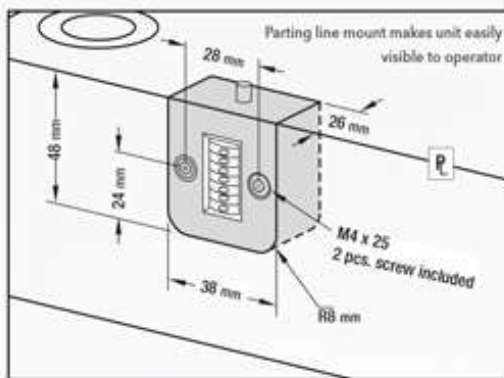
► Cycle Counter Economic Model



Special Price
18,60 €

Order Code: CVPL.200

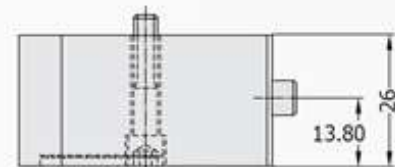
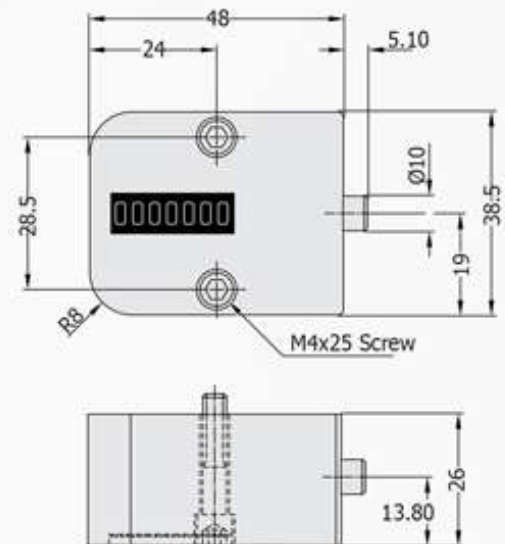
- * Maximum operating temperature is 120°C.
- * Non-resettable, 7-digit mechanical counter.
- * Material: Glass fibre reinforced polyester casing.



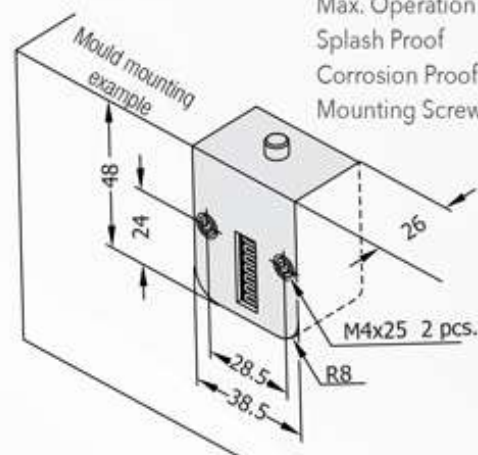
Advantages of product:

- * The product has a non-resettable 7-digit mechanical counter.
- * It provides creating or developing protective maintenance programs by evaluating process follow-up systems and confirming records kept manually.
- * Mould producers and authorized sellers can keep permanent records related to cycle status of the moulds out of the working area.
- * It is very important for mould producers to communicate correctly in situations where especially cycle guarantee is given.

Order Code: G124



Max. Operation Temperature 120°C
Splash Proof
Corrosion Proof
Mounting Screws M4x25



- * Non-resettable, 7-digit mechanical counter.
- * Cycle counter can record until 9.999.999.

